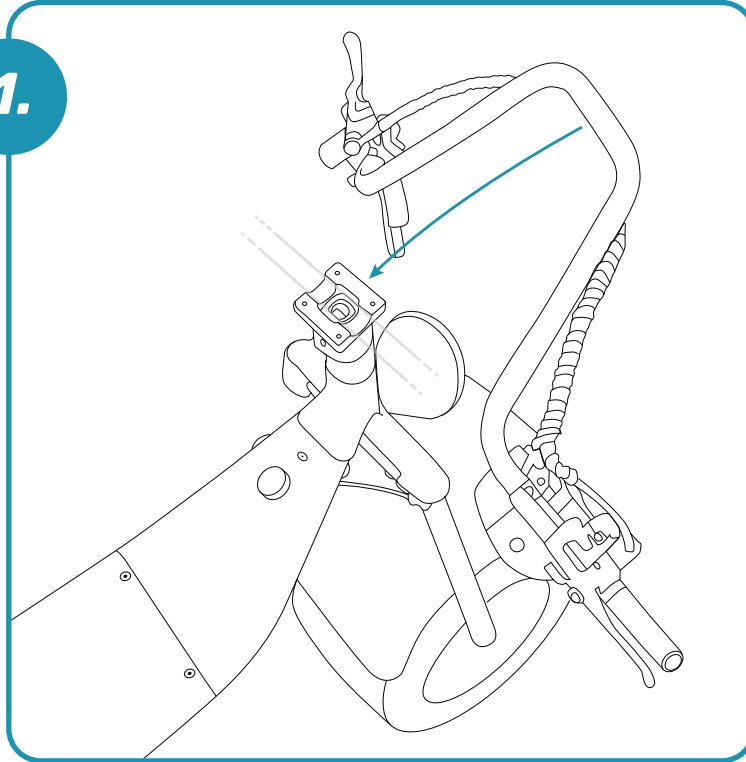


QUICK SET-UP GUIDE

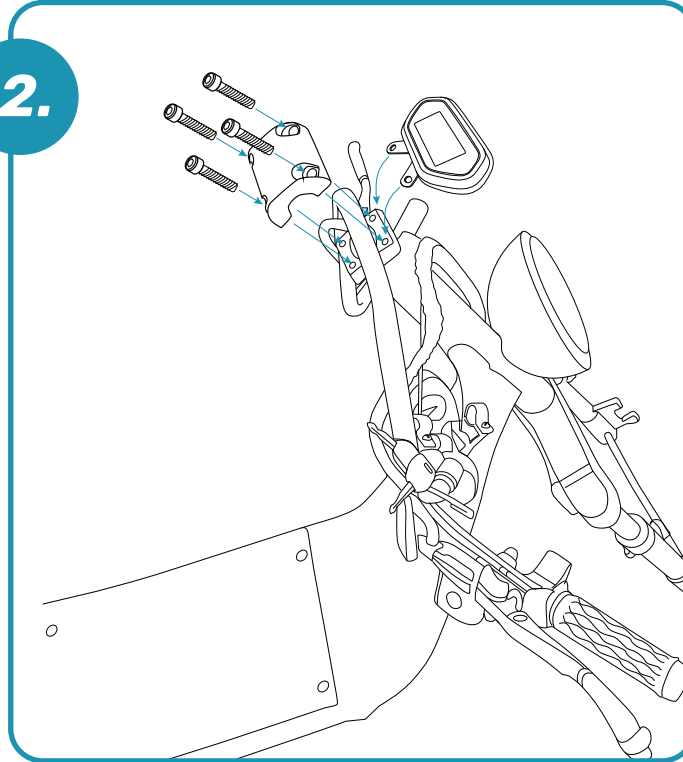
1.



Handlebars:

Place handlebar on bottom bracket notch.

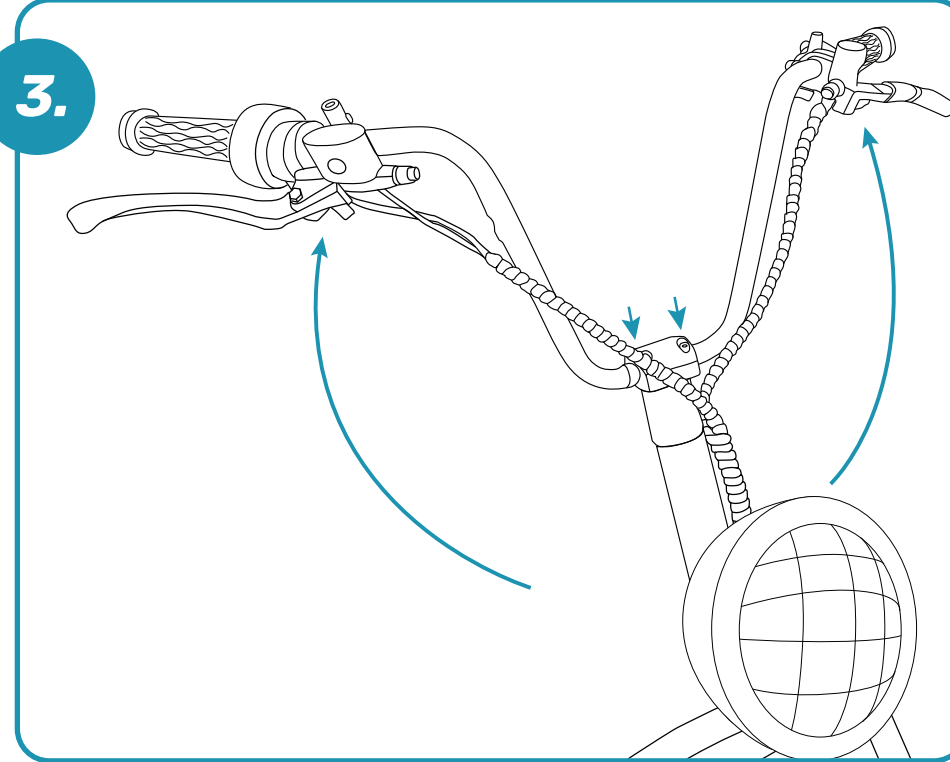
2.



LED Display:

Align the LED display mount holes with the front bracket mount holes.
Attach loosely with 4 screws.

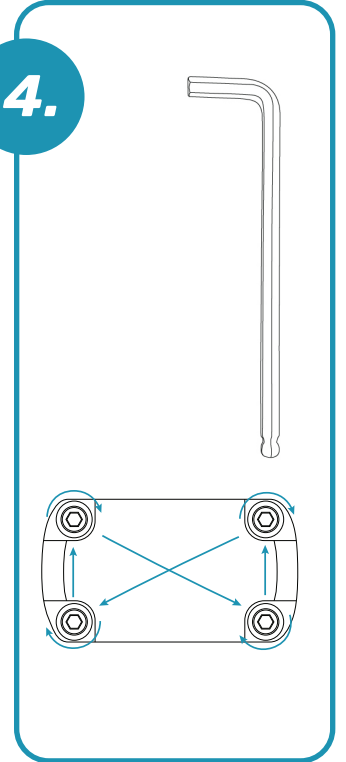
3.



Adjust Handlebars to Desired Position:

Find center and correct height. Hold in place while screws are tightened.

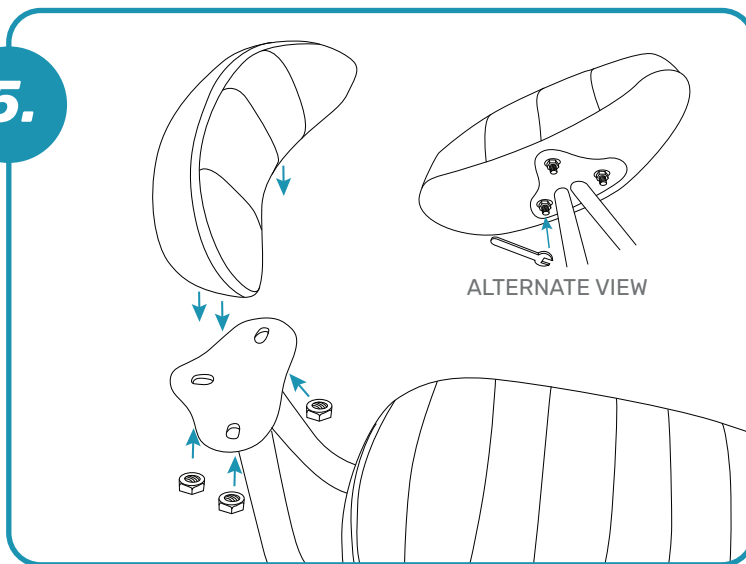
4.



Tighten:

Tighten the 4 screws with the Allen wrench in a Figure-8 pattern.

5.



Rear Seat:

Place seat on rear support bracket.
Hold in place, fastening each of the 3 nuts until tight.

ISLAND  **CRUZ™**