

# ISLAND CRUZ™

---

## SET-UP GUIDE

---

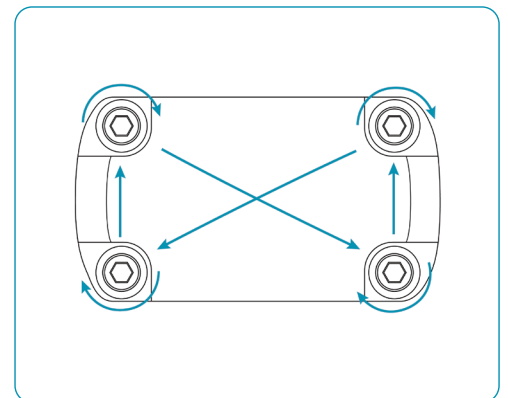
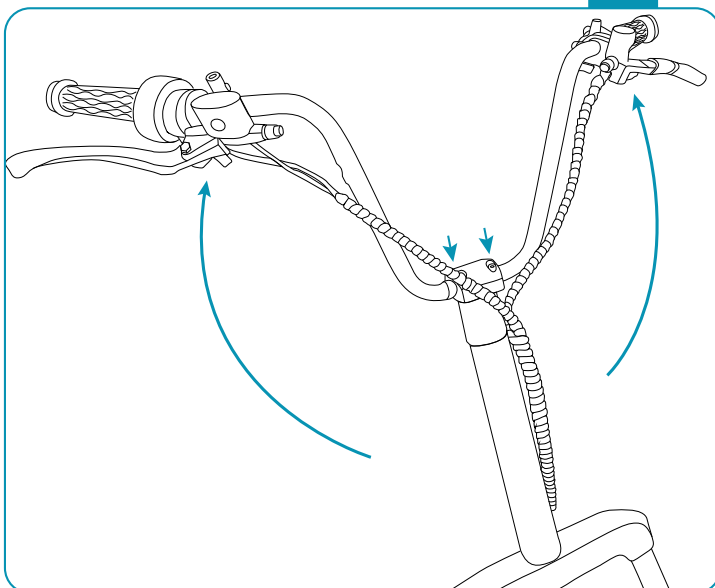
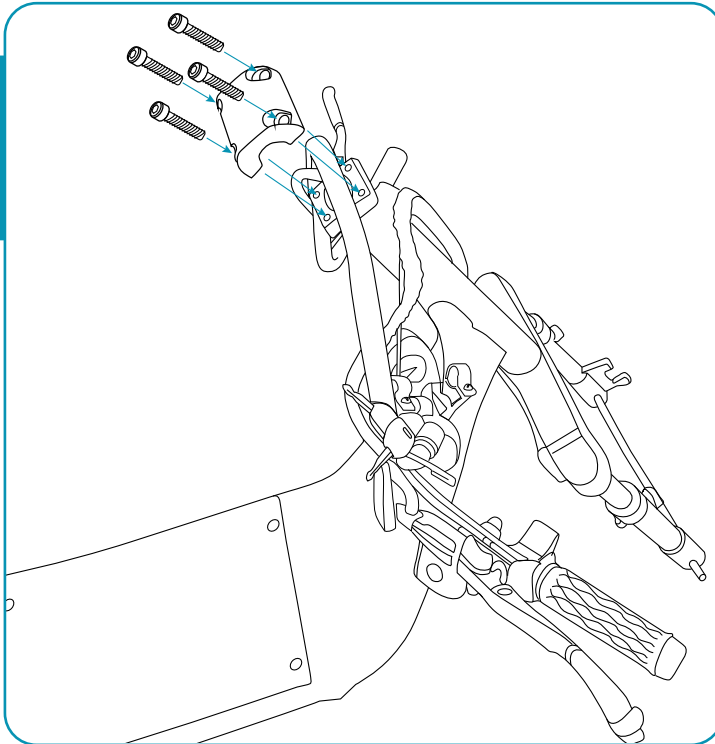
### MAUI CRUZER



Version 1.2 – Updated 1/2024

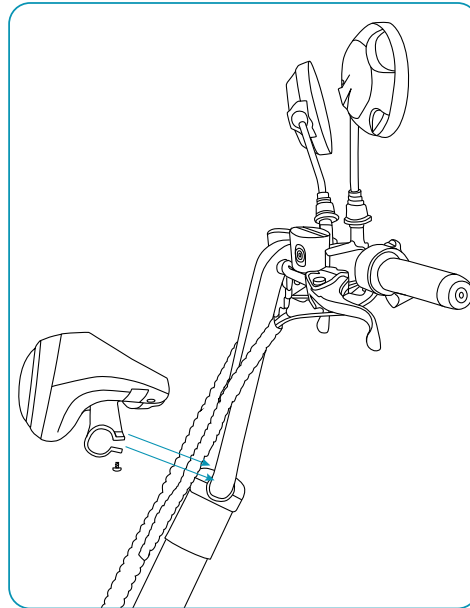
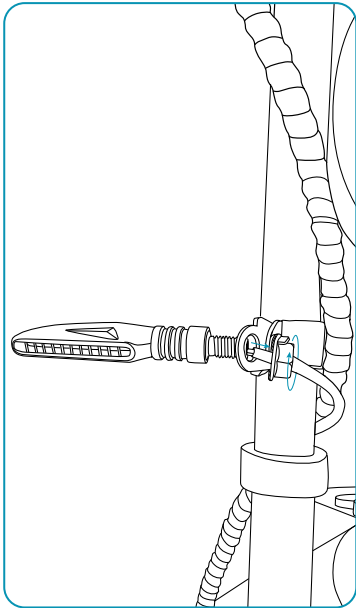
**1.****Handlebars:**

- Hang handlebar on bracket. Use the closing bracket with short screws to secure.
- Tighten top bracket loosely, and raise handlebars to desired position.
- Find center and correct height, and then tighten top screws of bracket in a criss-cross pattern.



**2.****Blinker and Headlight Set-up:**

- Connect blinker wires to female port
- Screw in blinker flashers onto each side (DO NOT OVER TIGHTEN)
- Remove screws, insert onto handlebar, secure. DO NOT OVER TIGHTEN.

**3.****Plug in battery under seat:**

- Plug in and lock battery under seat
- Test lights, horn and blinkers. If they don't work, double-check connections
- Tuck in wires
- Test throttle and brakes
- Pump up tires to 25 psi (max)
- Enjoy!

