

# ISLAND CRUZ™

---

## ASSEMBLY GUIDE

---

### COZUMEL CRUZER

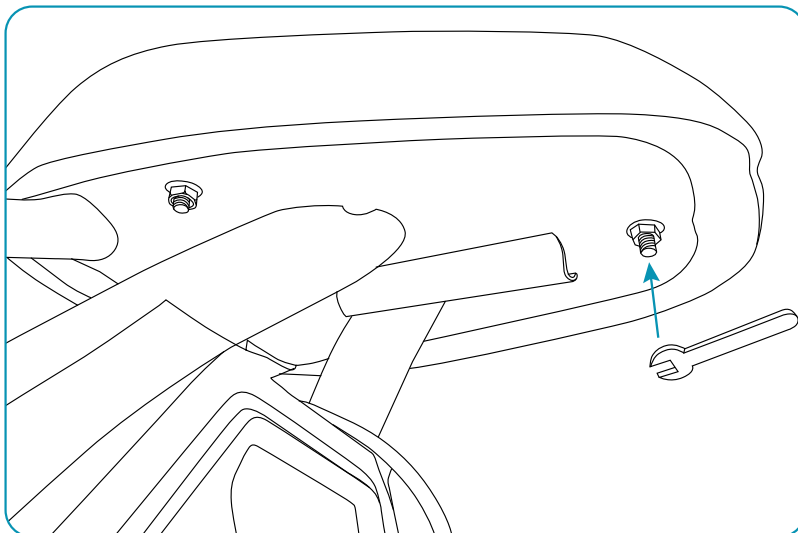
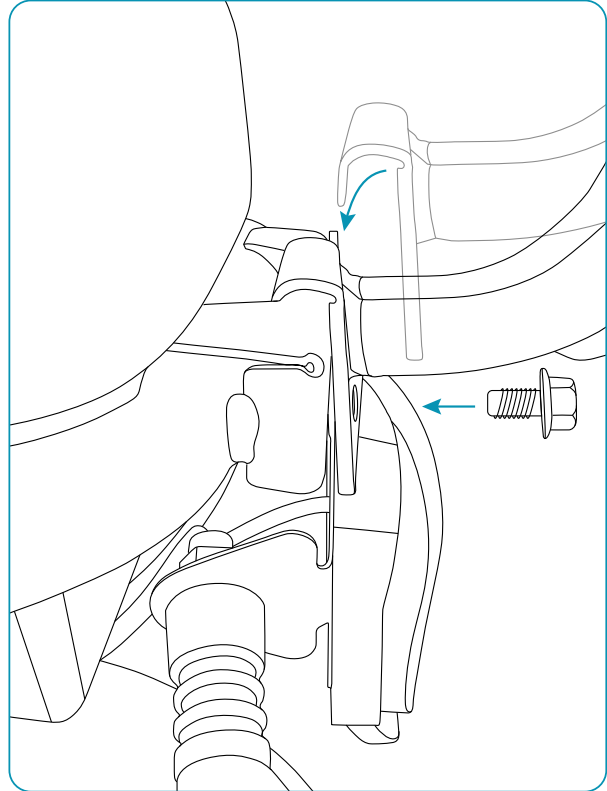
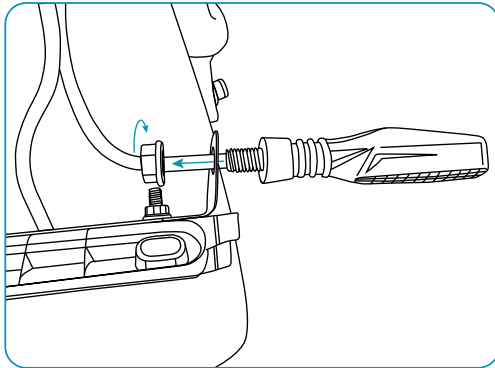
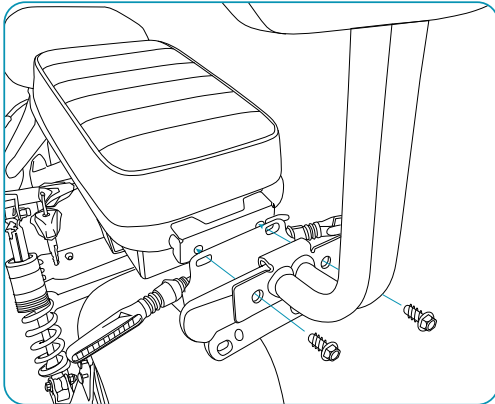


Version 1.1 – Updated 12/2023

**Seats:****1.**

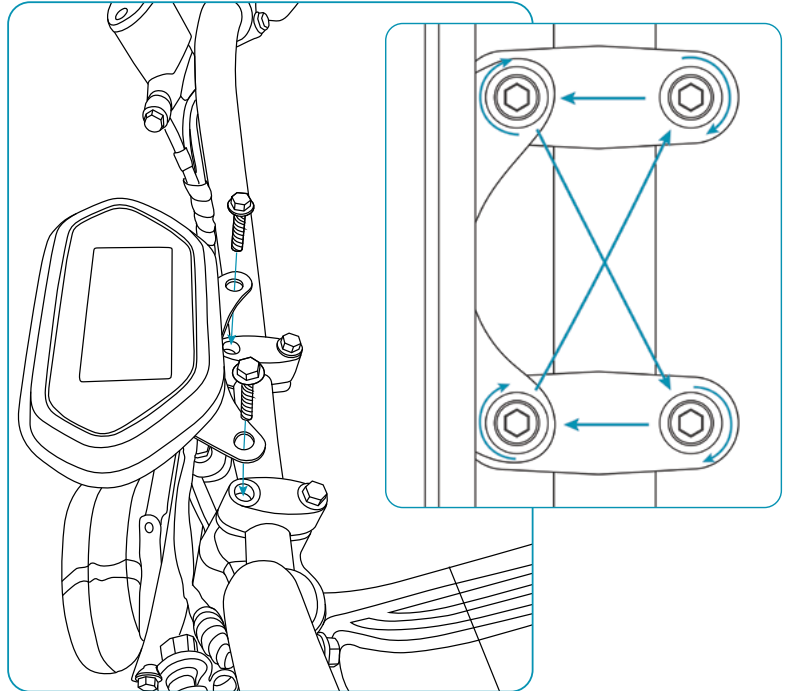
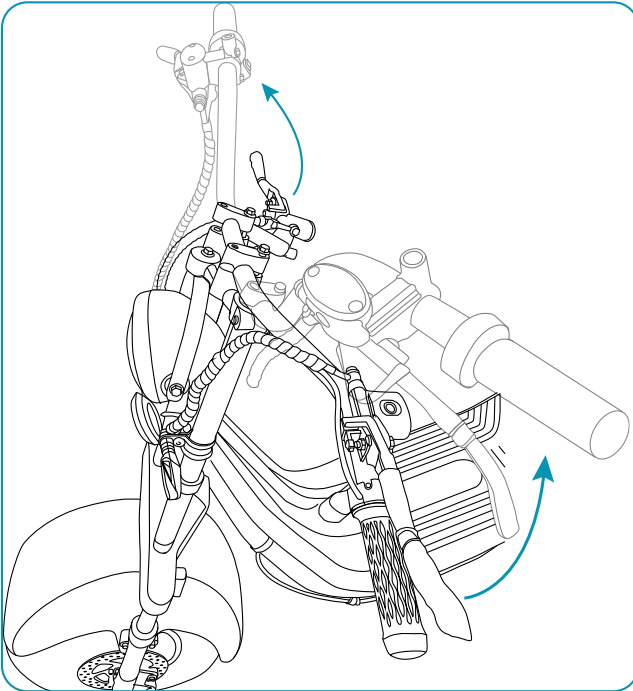
- Line up brake light plate with mounting plate on seat
- Place back rest hook in slot on mounting plate and attach with bolts
- Secure front seat with 3 X 10mm nuts

Tighten blinker nuts - DO NOT OVER TIGHTEN - plastic threading will break



**2.****Handlebars:**

- Swivel handlebars up to comfortable position for rider.
- Position LED display in-between handlebar brackets and tighten down screws.
- Tighten top bracket loosely, and then find desirable height for handlebars
- Find center and correct height, and then tighten in a criss-cross pattern

**3.****Battery and final review:**

- Plug in and lock battery under seat
- Test lights, horn and blinkers. If they don't work, double-check connections
- Tuck in wires
- Test throttle and brakes
- Pump up tires to 25 psi (max)
- Enjoy!

